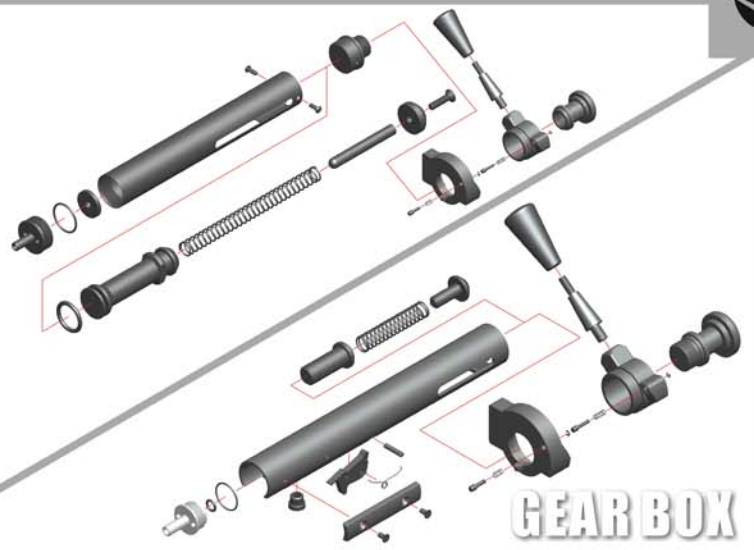
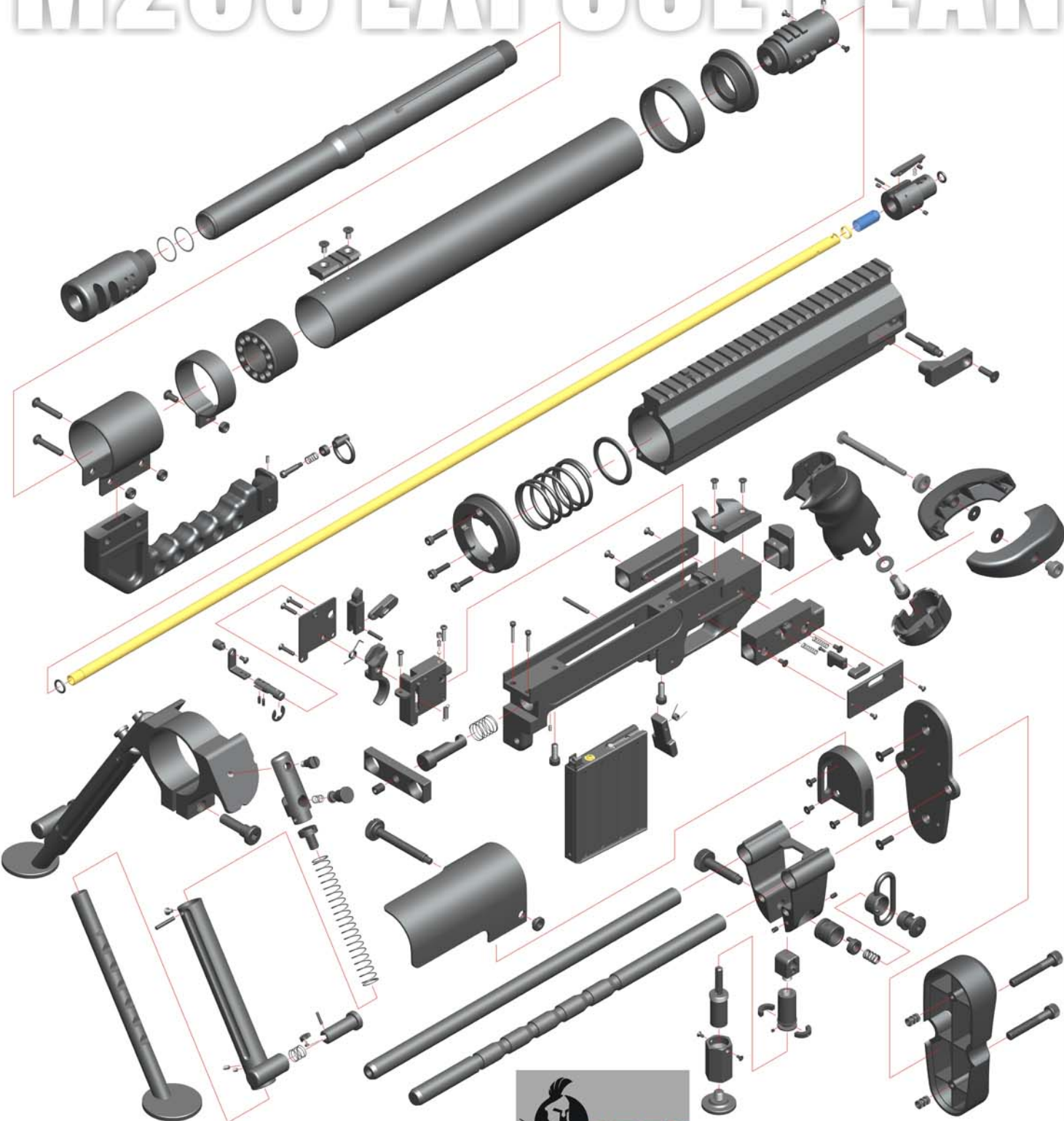
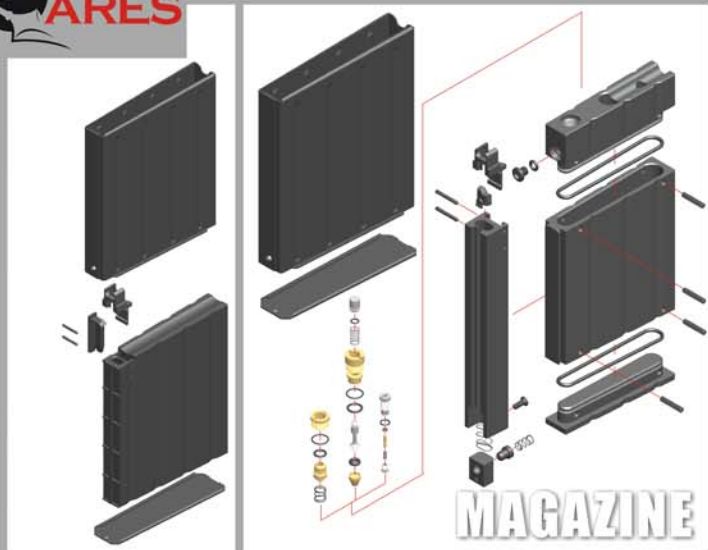


M200 EXPOSE PLAN

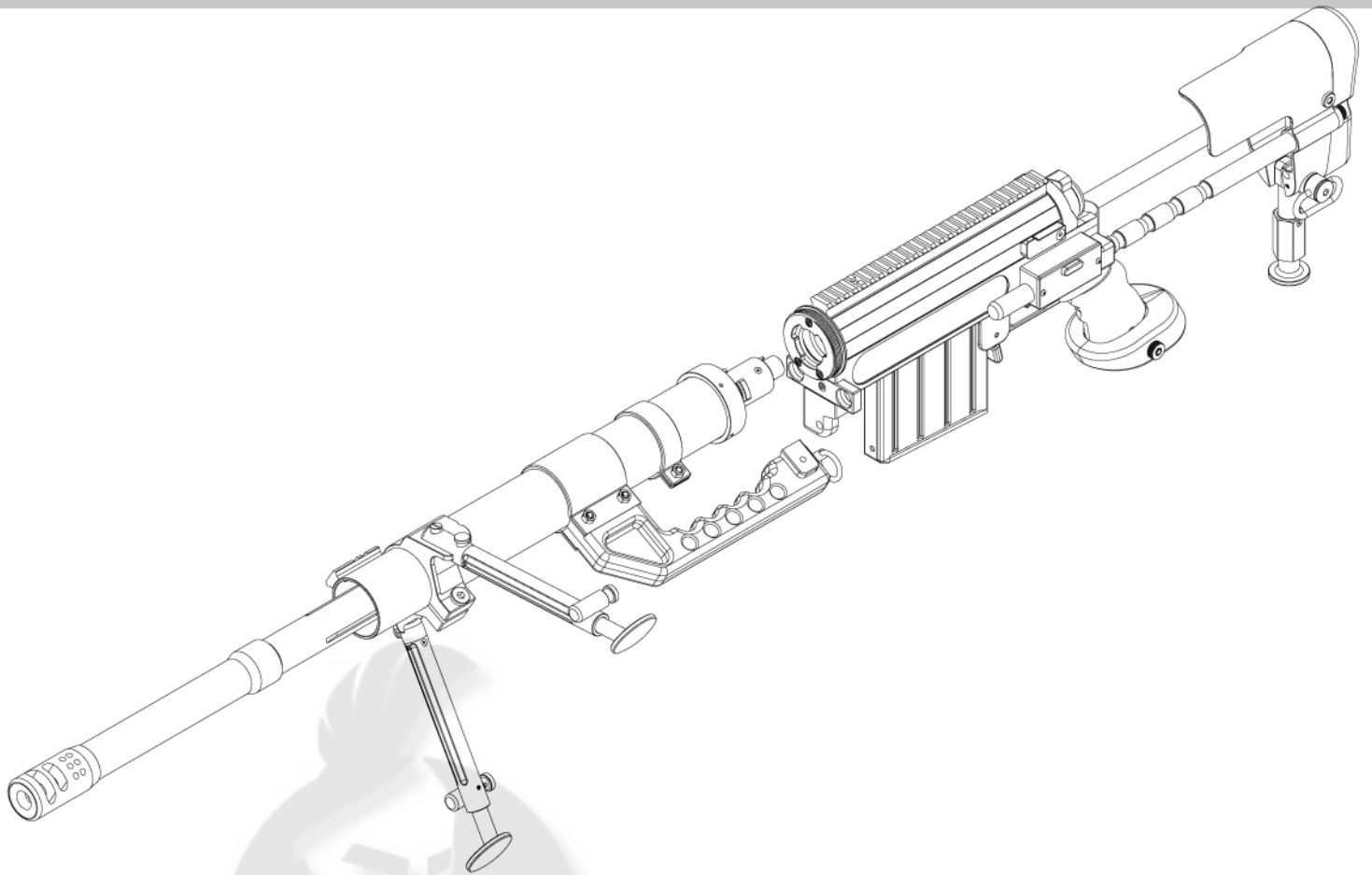


GEAR BOX

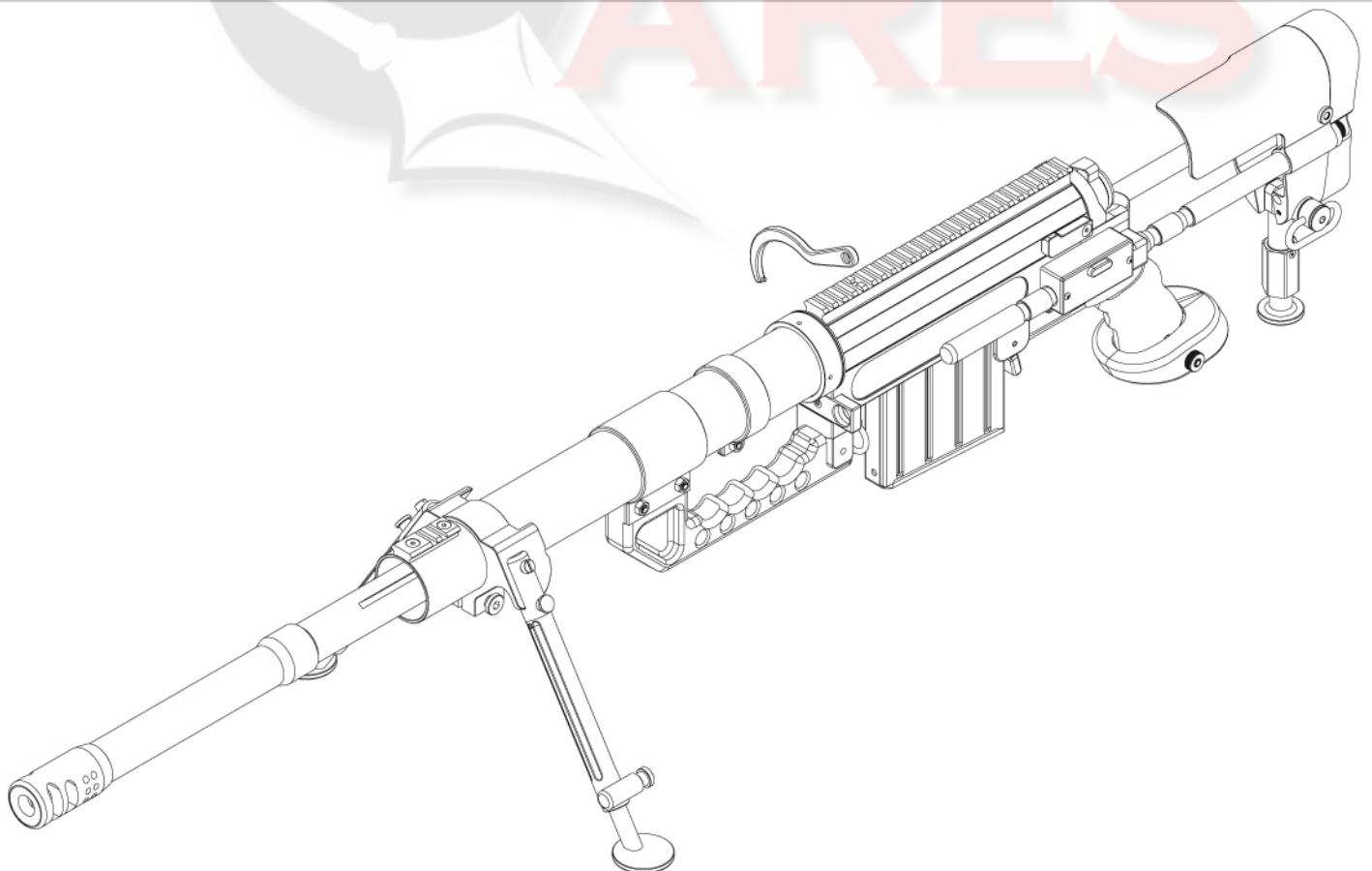


MAGAZINE

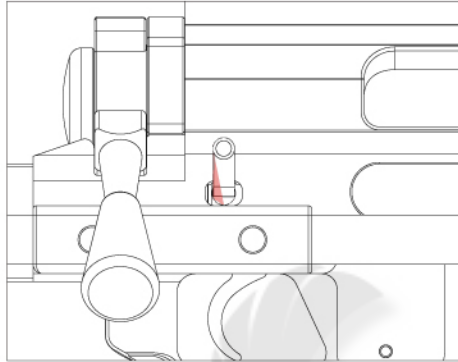
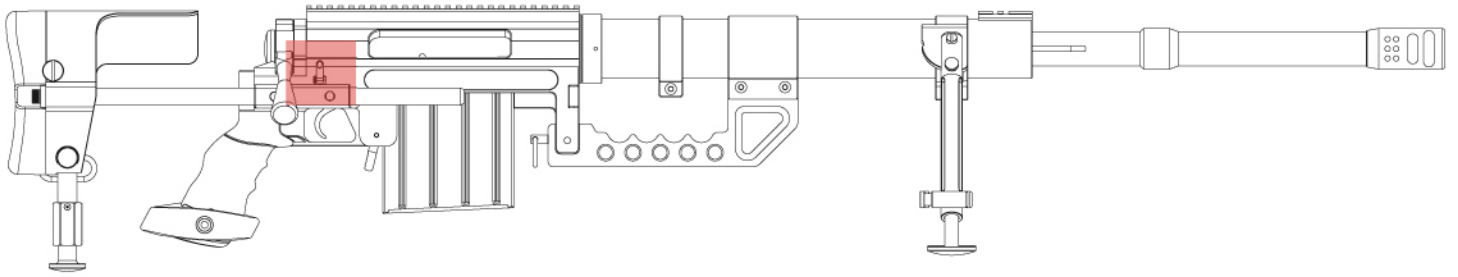
M200 GAS GUN



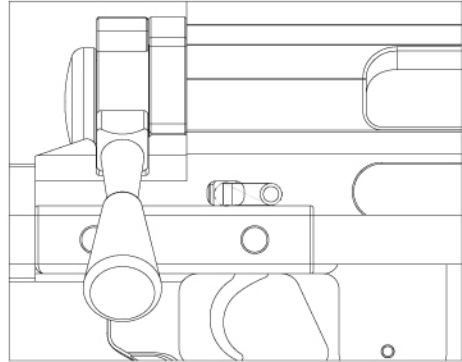
ARES



SAFETY SETTING

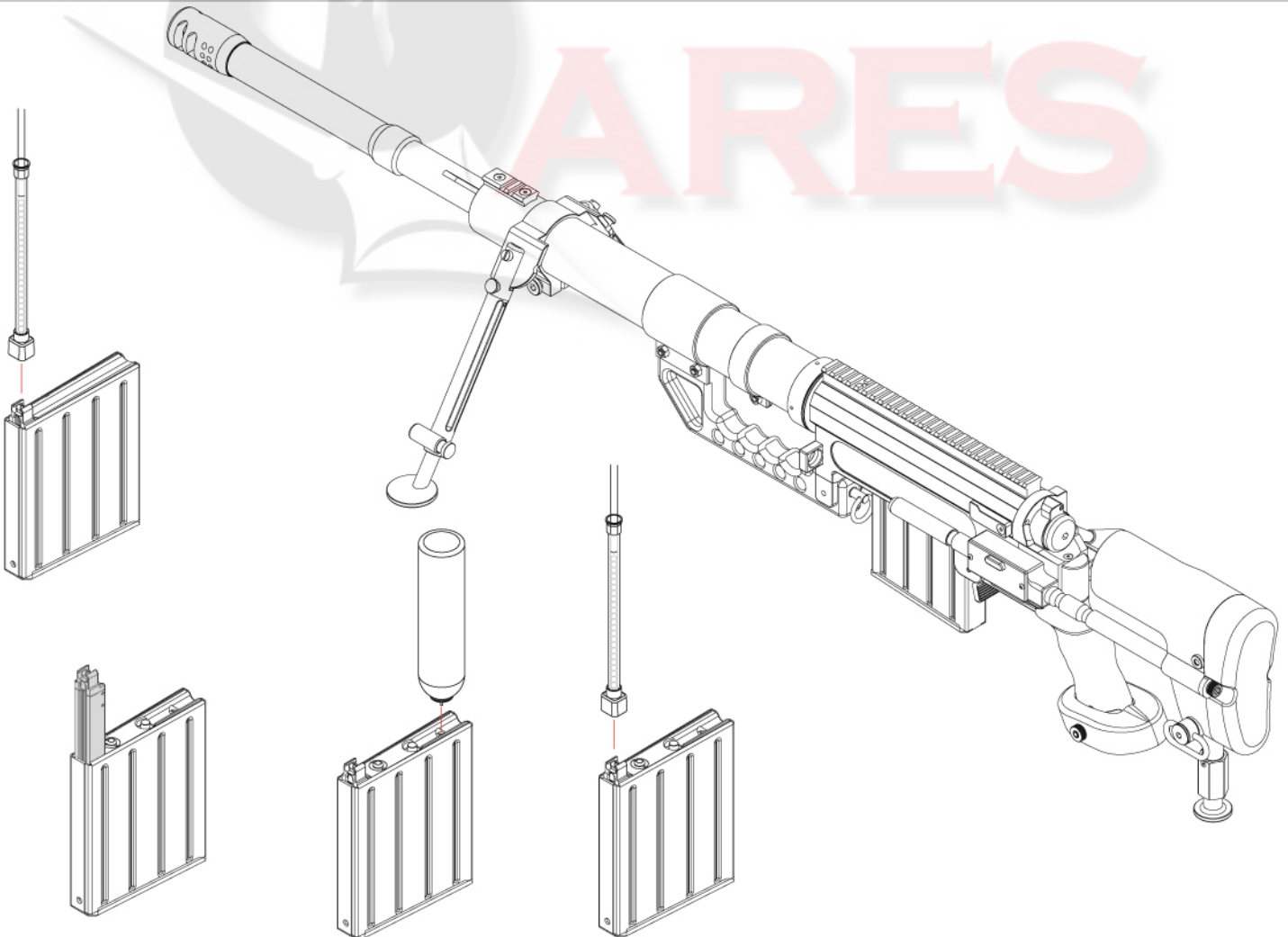


FIRE

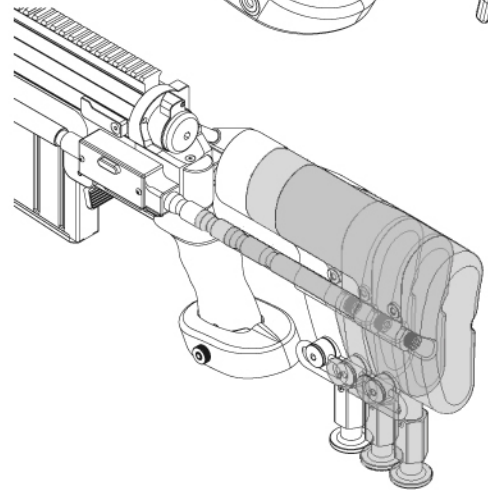
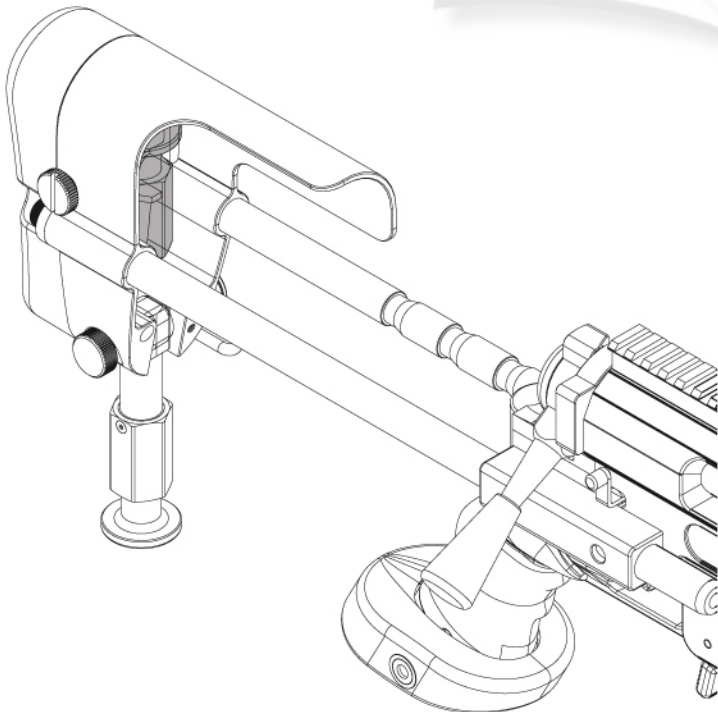
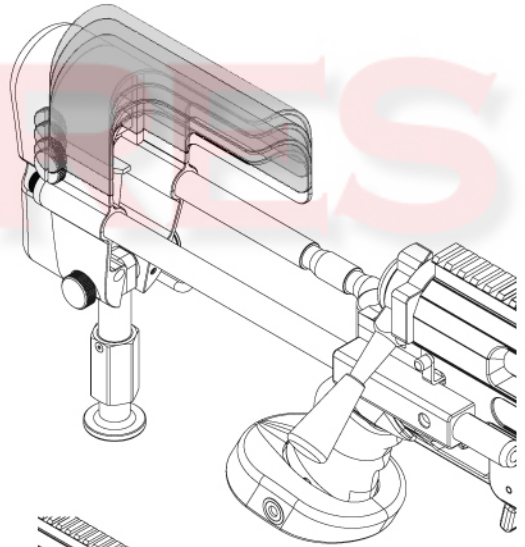
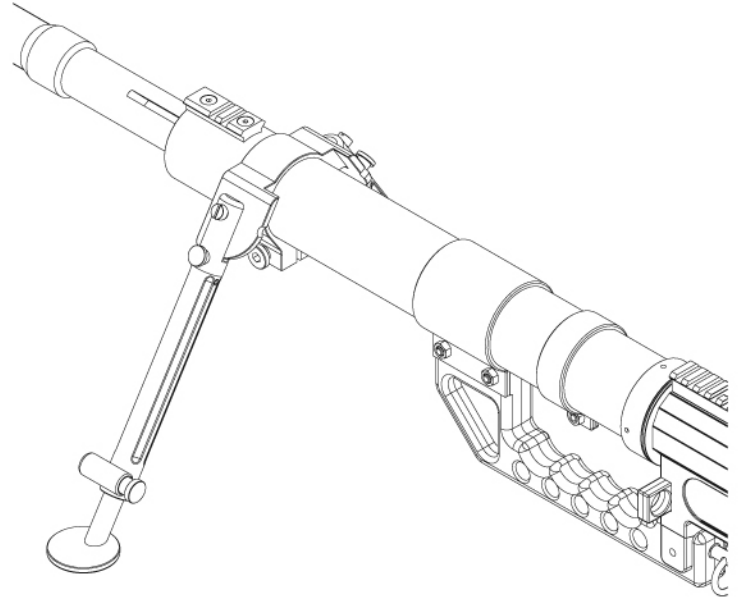
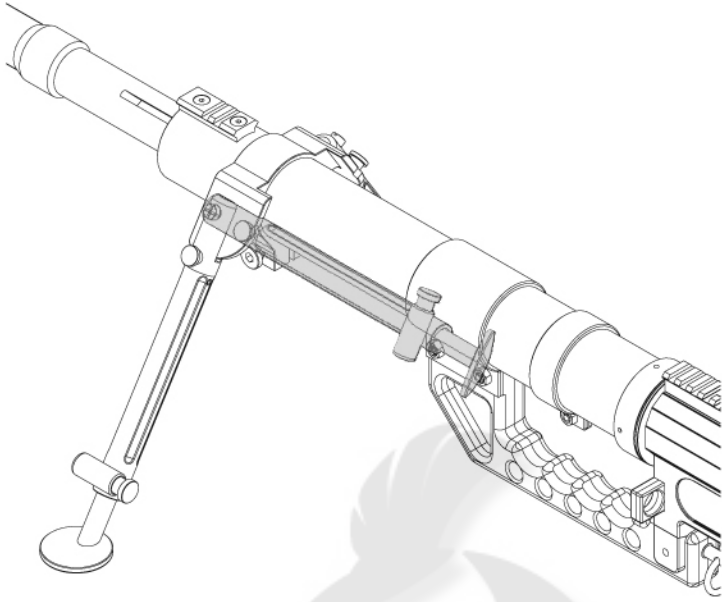


SAFETY

GAS CHARGING & RELOAD

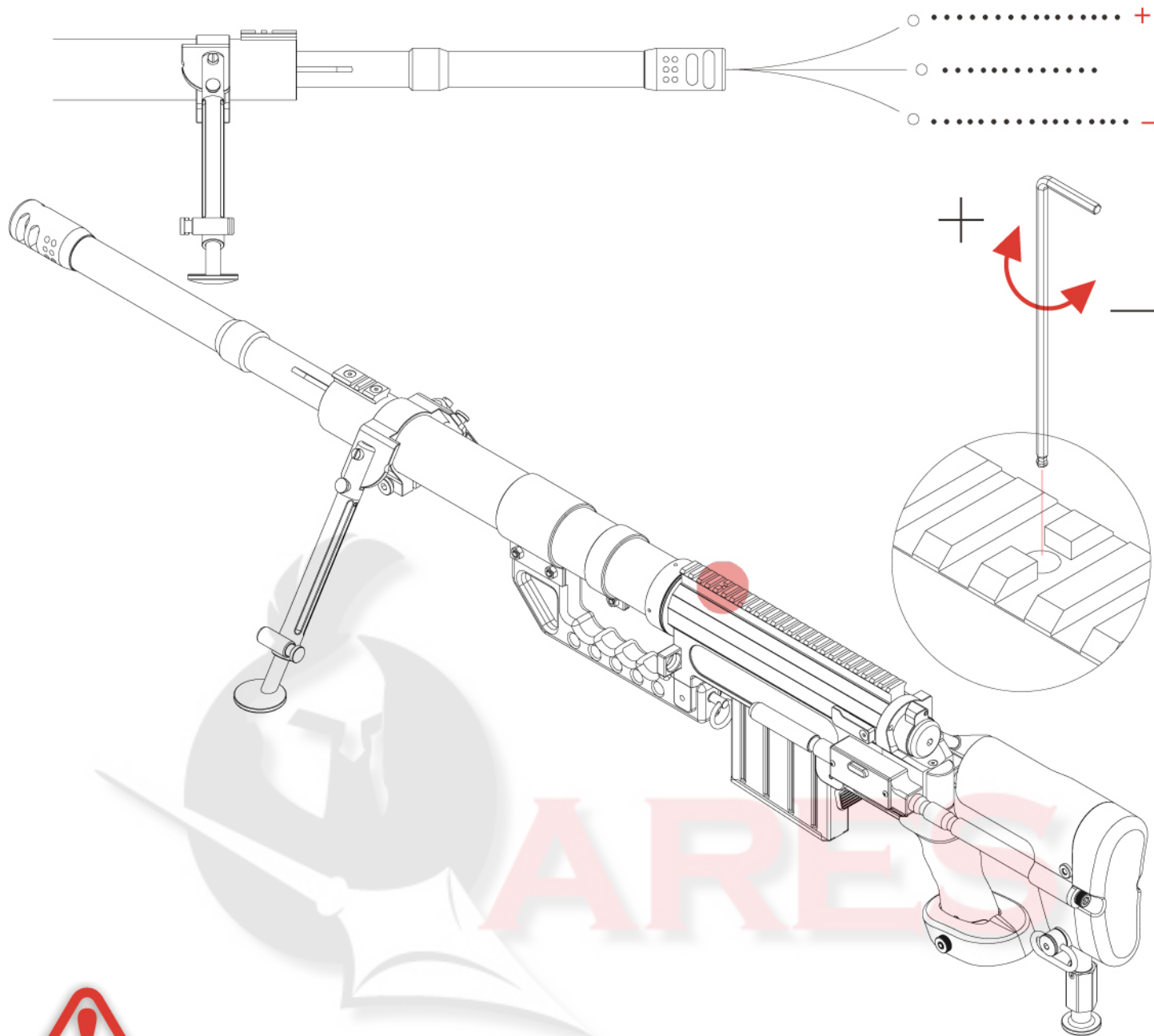


M200 GAS GUN

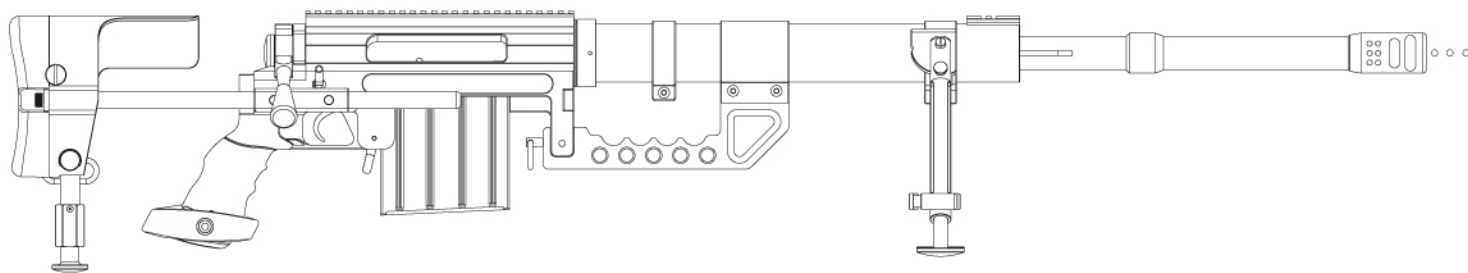


AMES

Hop-up adjustment



WARNING



- . Do not aim or shoot a person or animal as the target.
- . Avoid pulling the trigger carelessly.
- . Always put the gun in a case or bag when you carrying it.
- . Always set the switch lever to the safety position.
- . Do not look into the gun muzzle.
- . Always wear eye protective gear.
- . Store the airsoft gun at the places out of reach by children.
- . Do not disassemble or modify the airsoft gun.

DATA OF ARES M200 GAS GUN

GAS POWER: (134A RECOMMENDED)

MAGAZINE CAPACITY:

23/100RDS GAS/SPRING MAG

MODE: BOLT ACTION SINGLE

MATERIAL: NYLON FIBER + AL.ALLOY

HOP-UP: MATCH GRADE ADJUSTABLE

LENGTH: 1240-1390MM

WEIGHT: 8650G

VELOCITY: 350-380FPS

